

PRODUCT CODE: SR20G
EXTENSION RING

DESCRIPTION

20mm Extension Ring

FINISH

BZP

MATERIAL

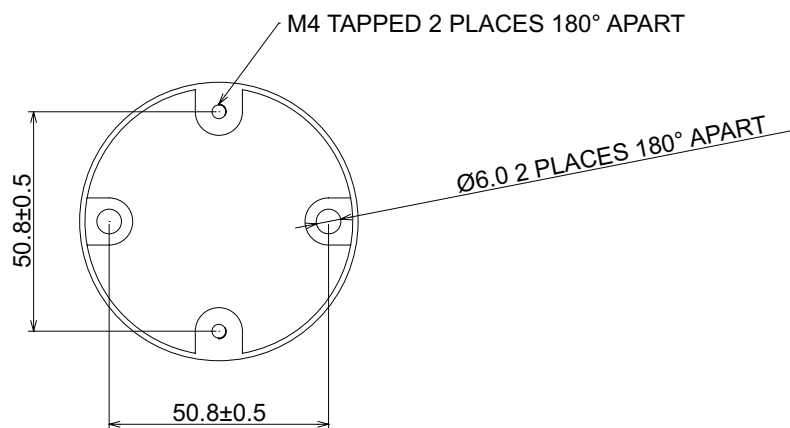
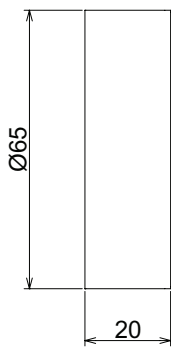
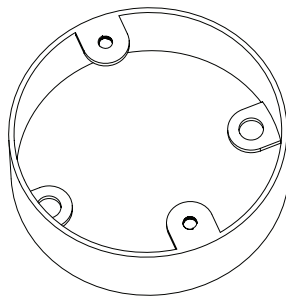
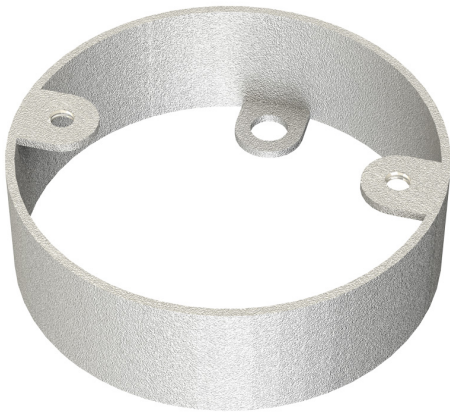
Steel


PACKAGING

Packed in qty 20

ADDITIONAL NOTES

Conforms to BS EN61386-1



 Values are nominal and with a general tolerance $\pm 5\%$ unless otherwise specified